



→ Slider lift for trucks, trailers and semi-trailers

## DH-SM(R).20 • 1500 - 2000 kg



The DH-SM(R).20 is the **top seller slider lift in the medium capacity range**. This versatile lift is able to handle various types of cargo, including pallets, up to max. 2000 kg.

In its travel position, the DH-SM is **safely stored underneath the chassis of the vehicle**. It is ideal for frequent fork lift and dock loading operations, for demountable bodies, for occasional use, and all applications requiring quick and free access to the cargo space.

There are 2 executions: the DH-SM.20 designed for **truck chassis**, and the DH-SMR.20 designed for **quick-fitting on trailer and semi-trailer chassis**.

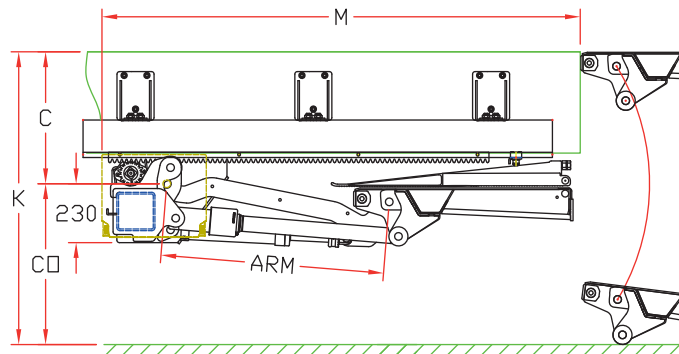
### Lift capacity

CAP	CG	LM
1500 kg	750 mm	11.25 kNm
2000 kg	750 mm	15 kNm

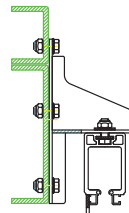
### Weights [see pg. 11]

STEEL / ALU		ALU / ALU	
1500 mm	475 kg	1500 mm	445 kg
1700 mm	495 kg	1700 mm	460 kg
1800 mm	505 kg	1800 mm	467 kg

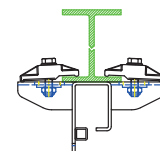
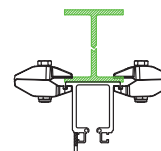
## Standard 4-cylinder slider lift, single fold platform



Truck / DH-SM.20



Trailer / Semi-trailer / DH-SMR.20  
Standard S430.A  
Optional S430.S



### Fitting dimensions

ARM		820	880	940	1000	1100
K max.		1305	1390	1490	1560	1725
C max.		675	720	770	815	895
CO max.		630	670	720	745	830
M	1500 mm platform	1700	1760	1820	1880	1980
M	1700 mm platform	1800	1860	1920	1980	2080
M	+ option S245.S	-100	-100	-100	-100	-100

### Technical specifications

Lift frame	150 x 150 mm
Cylinders	2 lift cylinders + 2 tilt cylinders
Retraction IN / OUT	Hydromotor + gear wheel system
Automatic tilt at ground level	Yes, mechanical
Platform material	Steel / alu or alu / alu
Standard platform depths	1500 - 1700 - 1800 mm Longer platforms on request (S205 - max. 2000)
Standard platform widths	2100 - 2300 - 2400 mm Other widths on request (S261)
Lift arm lengths	820 - 880 - 940 - 1000 - 1100 mm
Lift arm widths	800 - 1300 - 1550 mm
Standard control unit	Exterior control box with joystick, turn button safety switch, and battery isolator switch (S008.BT)